

## OKTOPUS® GGA 800/1000 24/34/2,0/4,8 oVH/mVH

Counterweight balancer for the movement and/or installation of elements in difficult to access areas



### Application

Lifting, transportation and installation of elements to or in difficult to access areas (max. overhang: 2,000 mm) for indoor and outdoor use

### Hoist

Crane

### Suspension

on the crane hook

### Description

The OKTOPUS® GGA 800/1000 is designed for lifting, transportation and installation of construction elements with a weight of up to 800 or 1000 kg, respectively.

Removable adapter enable to operate the CWB as load lifting attachment with load hook or in combination with vacuum lifting devices.

The motor-driven movement of the cage with the counterweights is controlled via a cable remote control (optional radio remote control). Integrated inclinometers limit the inclination in both directions to max. 10°.

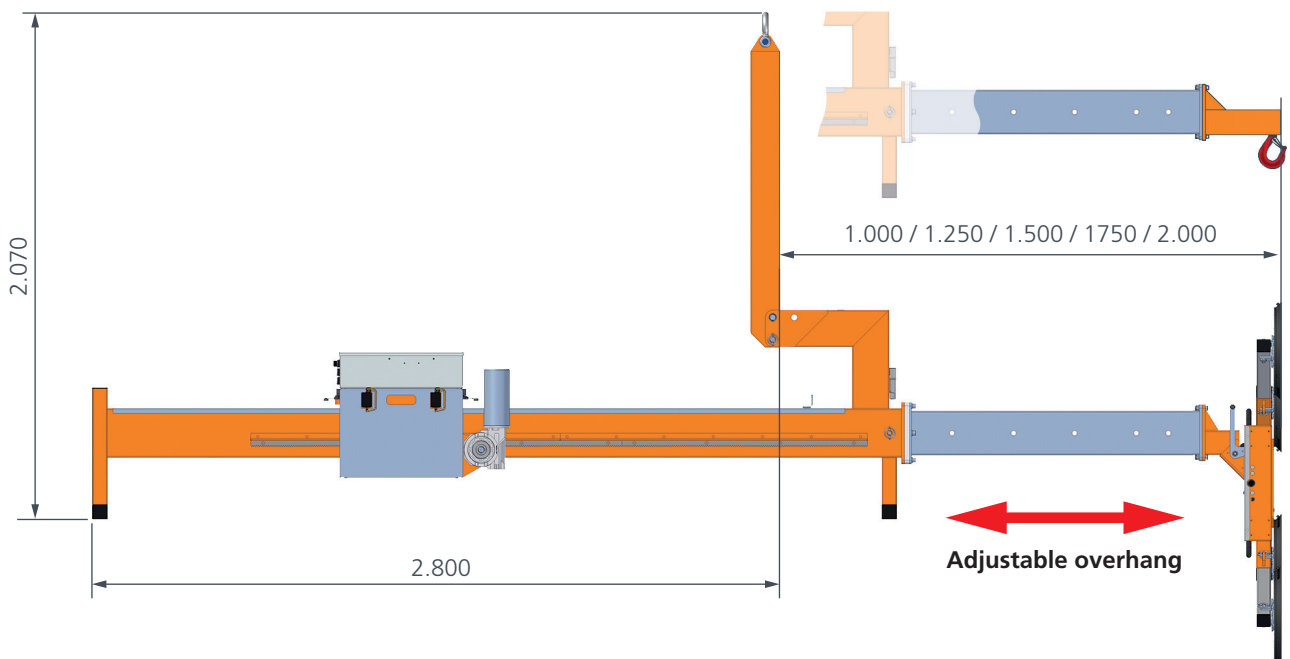
When using them in combination, vacuum lifting devices are coupled to the counterweight balancer electrically in such a way that the signal for the release of a suctioned load is directed to the control of the travelling cage. This guarantees that the counterweight balancer will remain in an equilibrated position even after the release of a suctioned load.

	Crane attachment
	driven travelling cage
	electronically limited inclination
	Release safety function
	Control panel at the device / cable remote control
	Radio remote control
	Battery



# OKTOPUS® GGA 800/1000 24/34/2,0/4,8 oVH/mVH

Application data		
Working Load Limit	800 kg (plus own weight of vacuum lifter up to 100 kg)	1000 kg (plus own weight of vacuum lifter up to 120 kg)
Number of counterweights	24 pieces	34 pieces
Total weight	ca. 1.010 kg	ca. 1.230 kg
Overhang	adjustable 1.000 / 1.250 / 1.500 / 1.750 / 2.000 mm	
Total length	min. 3.800, max. 4.800 mm	
Operation	Cable remote control	
Power supply	24 V DC battery	
Optional accessories	Radio remote control Load hook adapter Prepared for combination with vacuum lifting devices (mVH) Different adapters for connection of vacuum lifting devices Connecting cable	
Equipment	Technical Documentation Charger	
Movements	Travelling cage forwards and backwards	



all dimensions in mm



Subject to change in the interest of technical progress.



DB162\_20 Ausg.: 12/20

#### Headquarter

Wirth GmbH  
Brehnaer Straße 1  
D-06188 Landsberg

Phone: +49 (0) 34 602 / 70 88 - 0  
Fax: +49 (0) 34 602 / 70 88 - 111

#### Branch Office South

Wirth GmbH  
Nelkenstraße 11  
D-88074 Meckenbeuren

Phone: +49 (0) 75 42 / 94 29 - 44  
Fax: +49 (0) 75 42 / 94 29 - 46

#### E-Mail:

oktopus@wirth-gmbh.com  
info@wirth-gmbh.com

[www.wirth-gmbh.com](http://www.wirth-gmbh.com)



MITGLIED IM  
**IFBS**