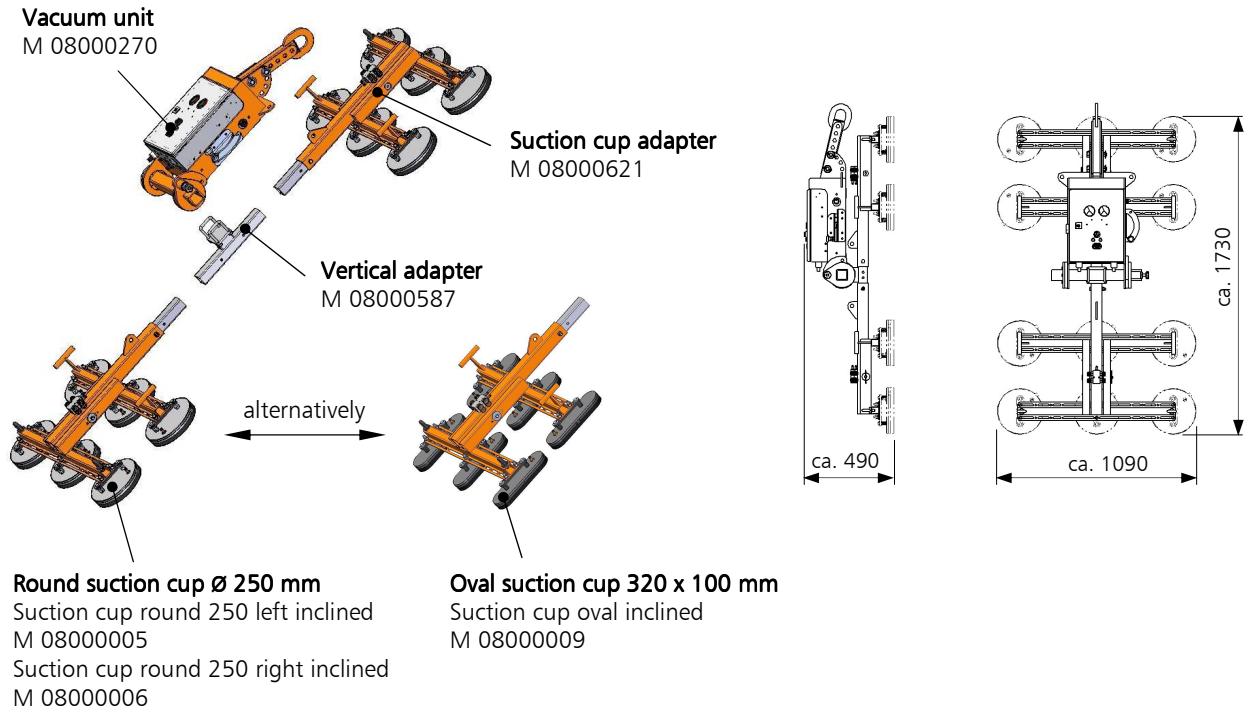
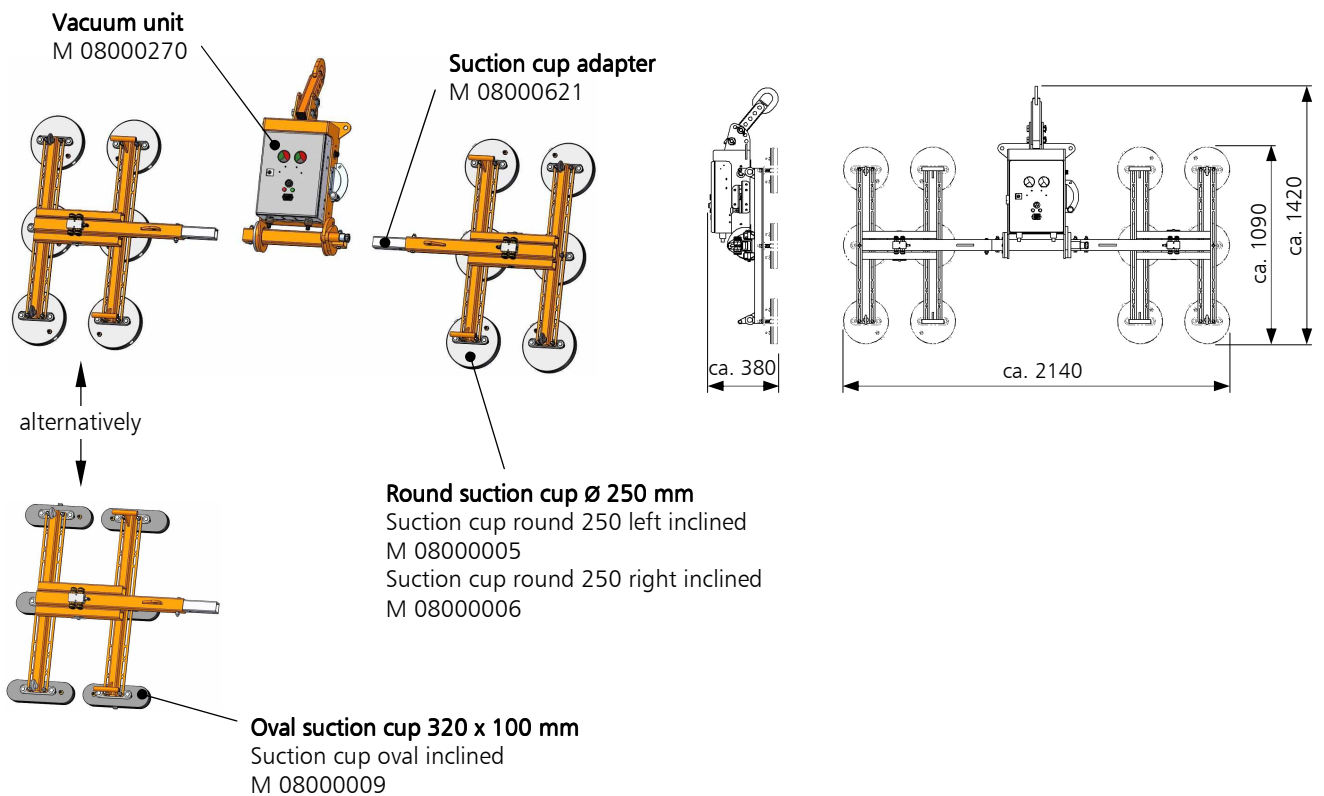


Versions of the OKTOPUS® KS-B

Wall installation vertical (cladding vertical)

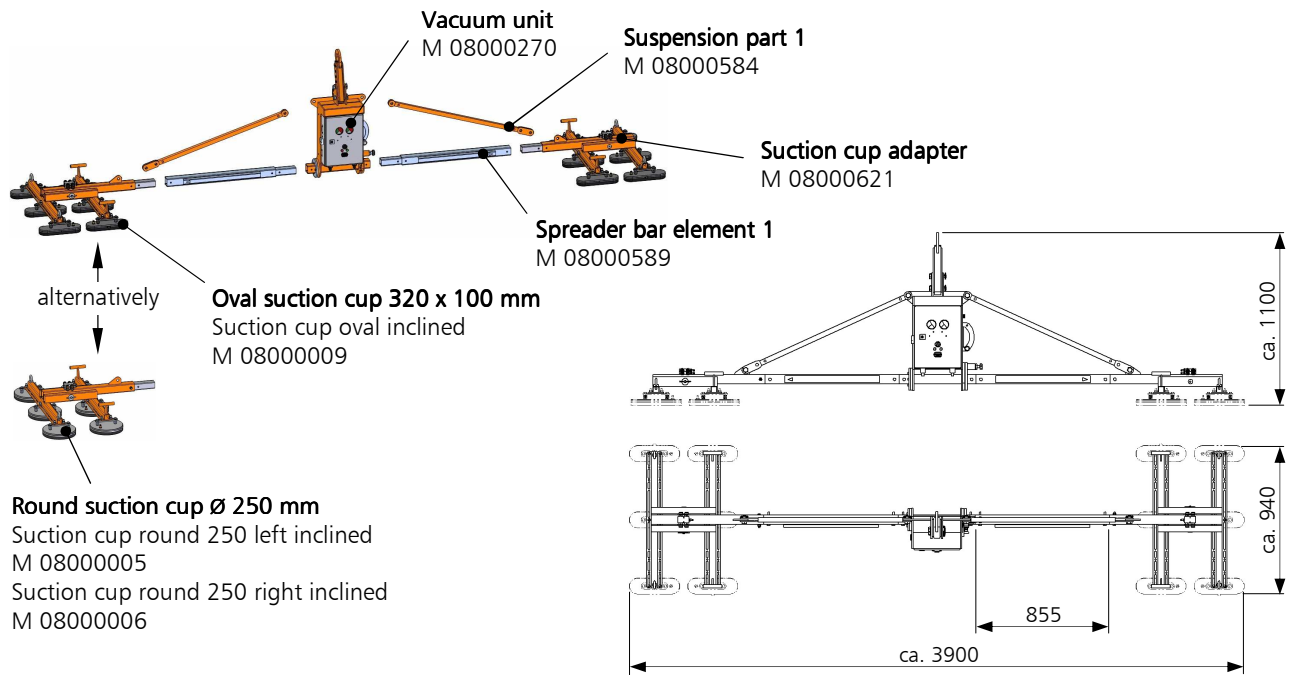


Wall installation horizontal (cladding horizontal)

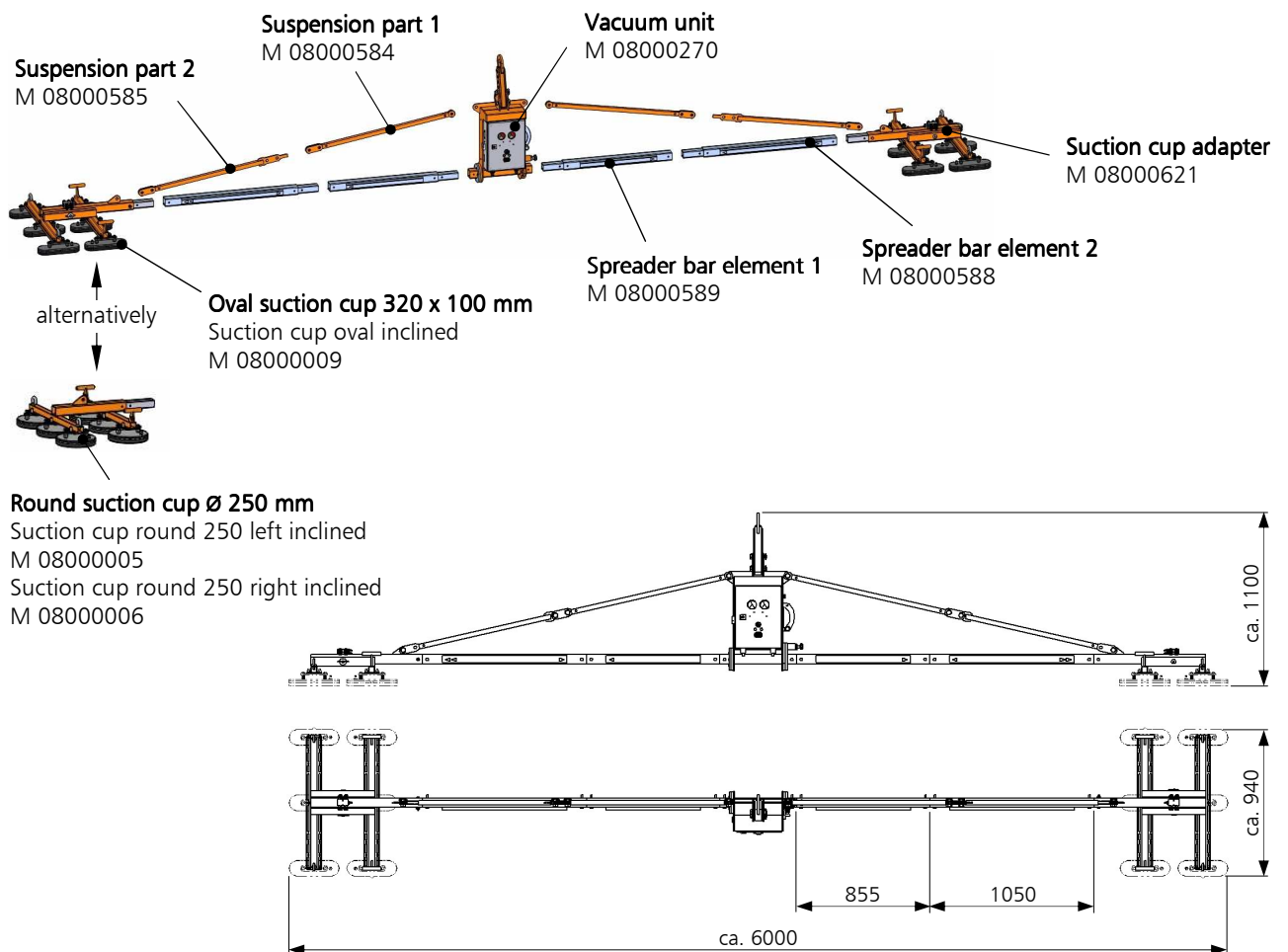


Roof installation (roofing)

Length of the crossbeam approx. 3,90 m



Length of the crossbeam approx. 6 m



Length of the crossbeam approx. 8 m

